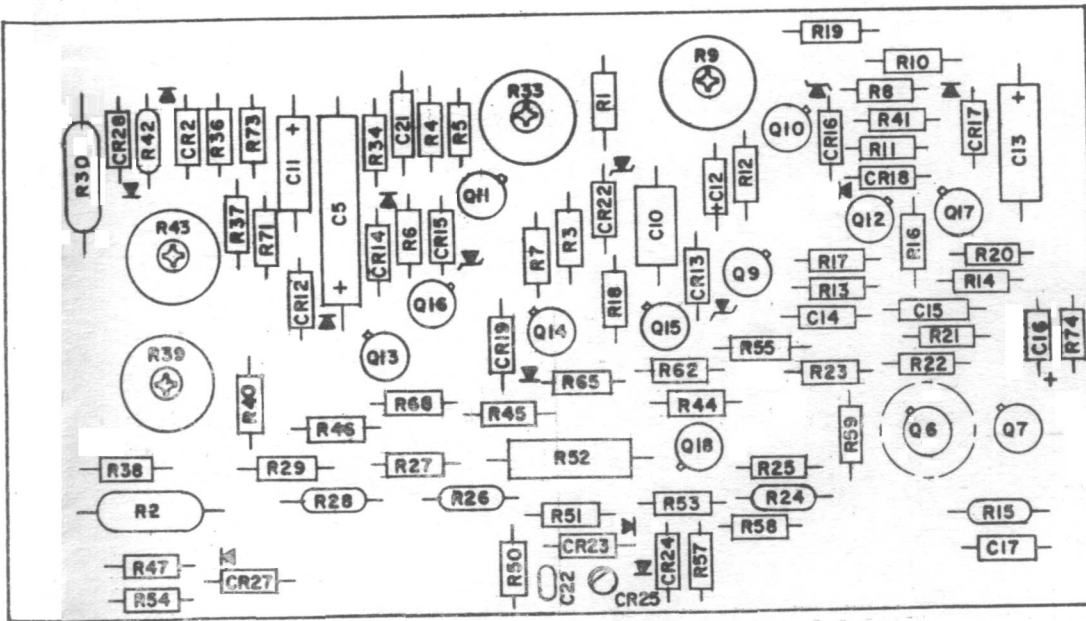
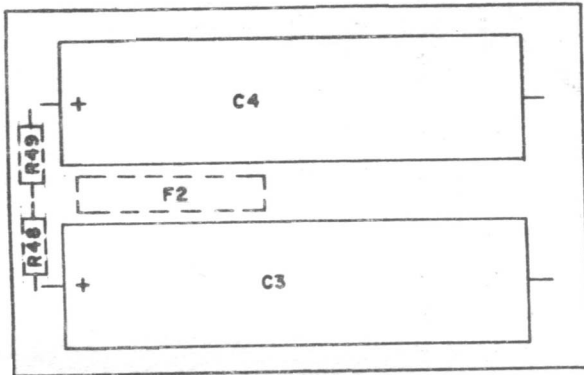


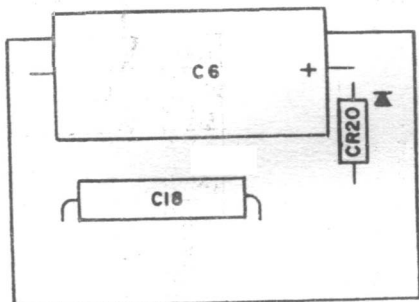
TOP VIEW OF UNIT WITH COVER REMOVED



**P.C. AMPLIFIER BOARD ASSEMBLY**  
PS-6050A-108



**CAPACITOR BOARD ASSEMBLY**  
PS-6050A-109



**BOARD ASSEMBLY (BINDING POST)**  
PS-6050A-104

T	REVISED, ECN 2560	10/1/71
S	REVISED, ECN 2559	7/2/71
R	REVISED, ECN 2211	8/13/73
P	REVISED, ECN 2196	7/17/73
N	REVISED, ECN 2140	5/13/73
M	REVISED, ECN 2125	3/5/73
L	REVISED, ECN 2121	2/12/73
K	REVISED, ECN 2099	1/16/73
J	REVISED, ECN 2063	9/26/72
H	REVISED, ECN 1968	3/6/72
G	REVISED, ECN 1950	12/17/71
F	REVISED, ECN 1943	12/13/71
E	REVISED, ECN 1933	11/18/71
D	REVISED, ECN 1919	11/2/71
C	REVISED, ECN 1896	10/27/71
B	REVISED, ECN 1904 & 1905	9/8/71
A	RELEASED	9/7/71
SYM.	DESCRIPTION	APPD. DATE

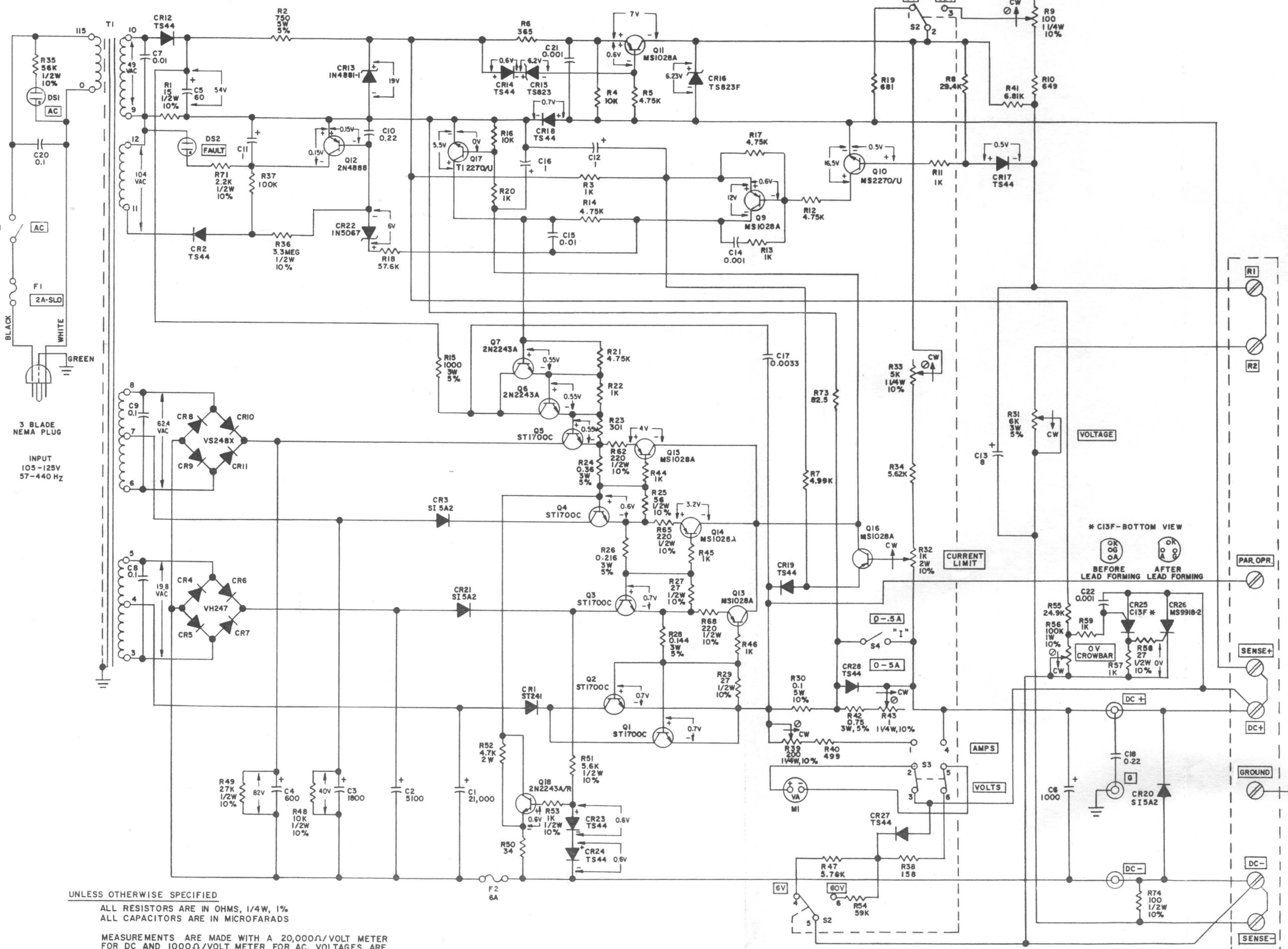
REVISIONS

<b>DRAWING NO. PS-6050A-101</b>	REV. F
---------------------------------	-----------

TITLE LOCATION OF COMPONENTS  
 MODEL 6050A

DRAWN HC	CHECKED <i>RS</i>	APPROVED <i>M/S</i>
DATE 8/10/71	DATE 8/16/71	DATE 9/17/71

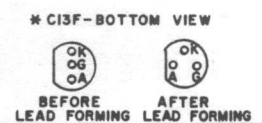
**Power Designs inc.**  
 NEW YORK



VOLTAGE TABLE				
OUTPUT	7VDC, 5A	15VDC, 3A	25VDC, 2A	60VDC, 1A
Q6, Q7 VCE	48V	48V	48V	40V
Q5 VCE	79V	69V	57V	16V
R24	0V	0V	0V	0.4V
Q4 VCE	34V	25V	10V	0.05V
R26	0V	0V	0.4V	0.2V
Q3 VCE	14V	4V	0.1V	0.05V
Q13 VCE	2.5V	2.6V	2.2V	2.0V
R28	0.02V	0.45V	0.3V	0.15V
Q16 VCE	1.8V	1.6V	1.5V	1.4V
Q16 VBE	0.5V	0.3V	0.2V	0.1V
C1	11.3V	12V	13.5V	14.2V
C2	25V	23V	27V	28V
Q1, Q2 VCE	2.5V	0.9V	0.05V	0.05V
R30	0.5V	0.3V	0.2V	0.1V
Q18 VCE	10V	17V	28V	62V
CR1	0.9V	-4V	-12V	-46V
CR21	0.6V	0.8V	-0.4V	-33V
CR3	0.6V	0.7V	0.9V	-21V
CR25, CR26	7V	15V	25V	60V
* CR25(A-G)	15V	13V	11V	4V

\* 0V CROWBAR (R56) MAX. CW.

- NOTES TO VOLTAGE TABLE:
- VOLTAGES INDICATED ARE MEASURED WITH 115V, 60HZ INPUT WITH OUTPUT LEVELS AS SHOWN.
  - VOLTAGES NOT LISTED DO NOT CHANGE WITH OUTPUT LEVEL AND ARE SHOWN DIRECTLY ON SCHEMATIC DIAGRAM.



**NOTICE**  
 PATENTS HAVE BEEN GRANTED, PATENT APPLICATIONS ARE PENDING OR IN PROCESS OF PREPARATION ON THE PROPRIETARY PORTIONS OF THE CIRCUITS SHOWN ON THIS DRAWING. REPRODUCTION IN WHOLE OR IN PART MAY NOT BE MADE WITHOUT PERMISSION.

UNLESS OTHERWISE SPECIFIED  
 ALL RESISTORS ARE IN OHMS, 1/4W, 1%  
 ALL CAPACITORS ARE IN MICROFARADS  
 MEASUREMENTS ARE MADE WITH A 20,000Ω/VOLT METER FOR DC AND 1000Ω/VOLT METER FOR AC. VOLTAGES ARE DC UNLESS OTHERWISE INDICATED.  
 VOLTAGES INDICATED ARE MEASURED WITH 115V, 60HZ INPUT.

REV	DESCRIPTION	DATE
T	REVISED, ECN 2560	11/9/75
S	REVISED, ECN 2559	10/20/75
R	REVISED, ECN 2211	9/16/75
P	REVISED, ECN 2196	8/27/75
N	REVISED, ECN 2140	8/27/75
M	REVISED, ECN 2125	8/27/75
L	REVISED, ECN 2121	8/27/75
K	REVISED, ECN 2099	11/14/75
J	REVISED, ECN 2063	9/26/75
H	REVISED, ECN 1968	8/26/75
G	REVISED, ECN 1950	12/17/74
F	REVISED, ECN 1943	11/27/74
E	REVISED, ECN 1933	11/26/74
D	REVISED, ECN 1919	11/26/74
C	REVISED, ECN 1896	11/27/74
B	REVISED, ECN 1904 & 1905	11/26/74
A	RELEASED	11/27/74

DRAWING NO. PS-6050A-101

TITLE SCHEMATIC, MODEL 6050A  
 UNIVERSAL POWER SOURCE

DRAWN HC	CHECKED <i>as</i>	APPROVED <i>MA</i>
DATE 8/10/71	DATE 8/12/71	DATE 8/17/71

Power Designs inc.  
 NEW YORK